

ROECO

Bearing Data

Ball Bearing Units

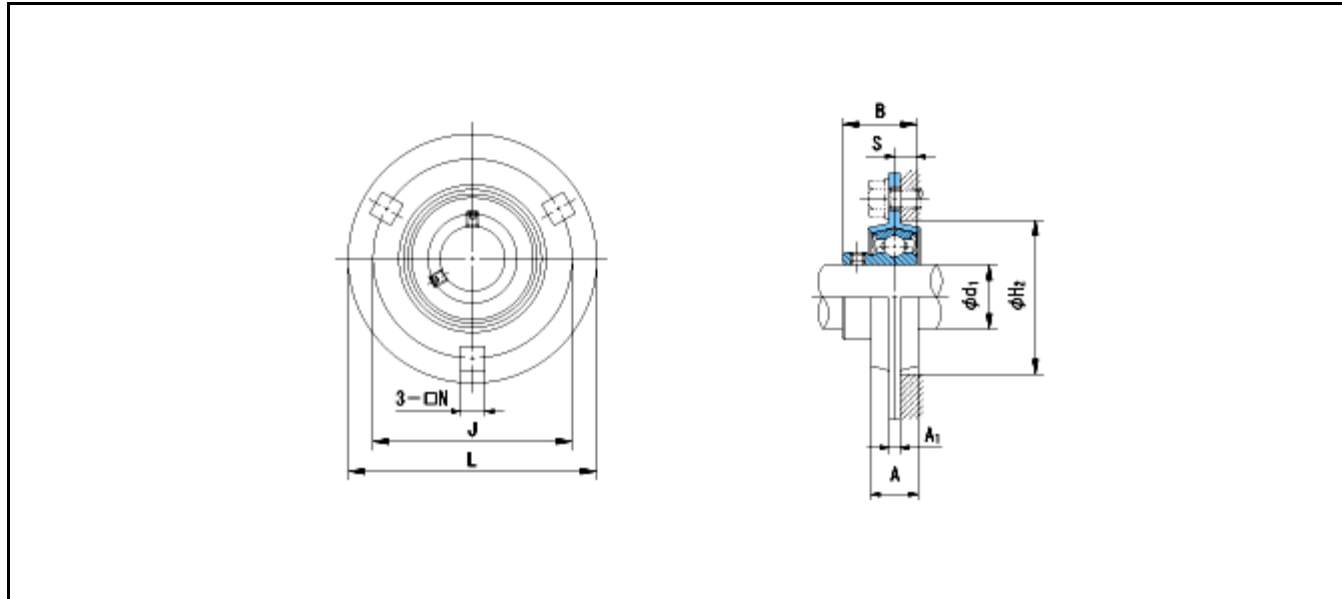
Bearing No. : **BPF4**

Dimensions

L = 90

J = 71.5

N = 9



Dimensions

d1 = 20

A = 16

A1 = 4

H2 = 56

B = 24.7

S = 7

Mass = 0.25 kg

Basic Dynamic Load Rating Cr :	12800 N			
Basic Static Load Rating Cor :	6600 N	O.D.Surface Runout with Side :		-
Limiting Speed ;		Axial Runout with Bore :		-
Grease Lubrication :	- rpm	Axial Runout with Raceway :		-
Oil Lubrication :	- rpm	Width Variation :		-
		Radial Runout :		-