

ROECO

Bearing Data

Ball Bearing Units

Bearing No. : **CUCF211C**

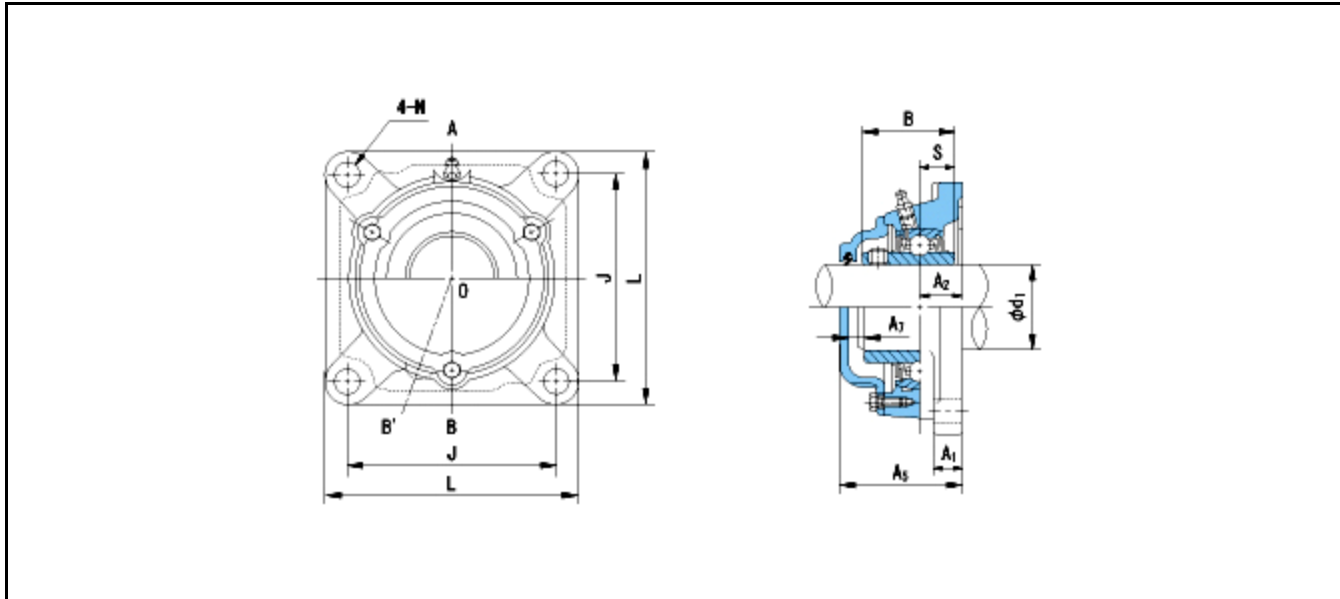
Dimensions

L = 162

J = 130

N = 19

A = 43



Dimensions

d1 = 55

A1 = 20

A2 = 25

B = 55.6

S = 22.2

A5 = 75

A7 = 10

Mass = 4.6 kg

Basic Dynamic Load Rating Cr : **43000 N**

Basic Static Load Rating Cor : **29400 N**

Limiting Speed ;

Grease Lubrication : - rpm

Oil Lubrication : - rpm

INNER RING OUTER RING

O.D.Surface Runout with Side : -

Axial Runout with Bore : -

Axial Runout with Raceway : -

Width Variation : -

Radial Runout : -