

ROECO

Bearing Data

Ball Bearing Units

Bearing No. : **CUCF217C**

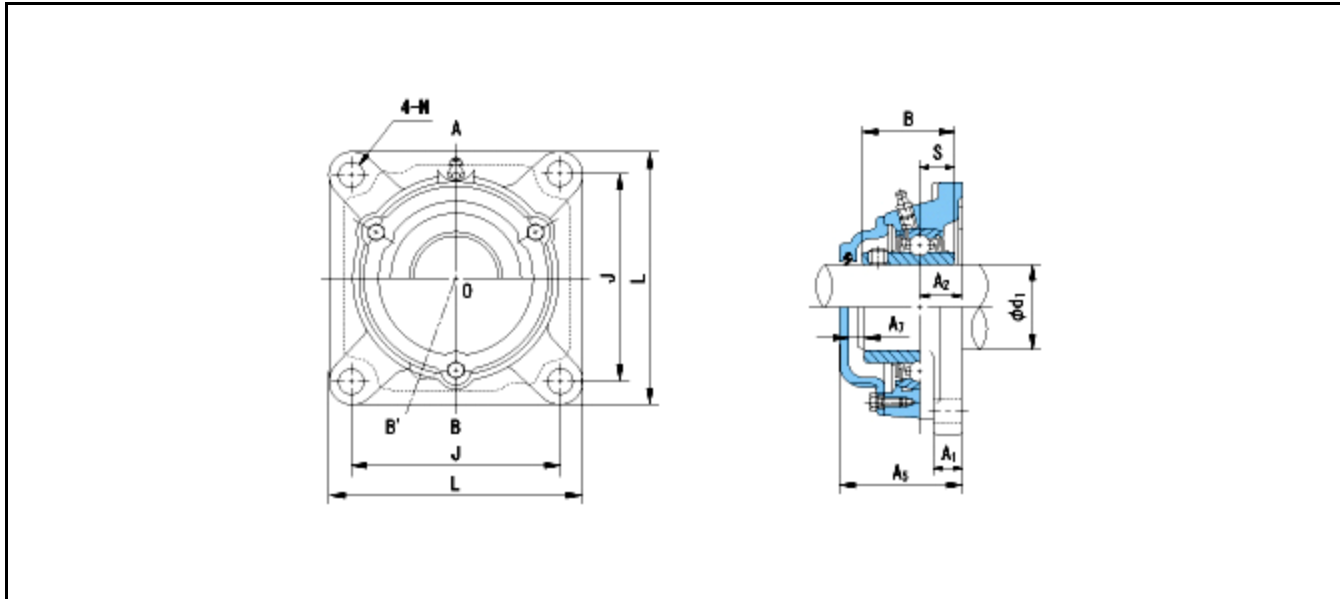
Dimensions

L = 220

J = 175

N = 23

A = 63



Dimensions

d1 = 85

A1 = 26

A2 = 36

B = 85.7

S = 34.1

A5 = 111

A7 = 15

Mass = 11.8 kg

Basic Dynamic Load Rating Cr :	83500 N			
Basic Static Load Rating Cor :	61800 N	O.D.Surface Runout with Side :		-
Limiting Speed ;		Axial Runout with Bore :		-
Grease Lubrication :	- rpm	Axial Runout with Raceway :		-
Oil Lubrication :	- rpm	Width Variation :		-
		Radial Runout :		-