

ROECO

# Bearing Data

## Ball Bearing Units

Bearing No. : **CUCF312CE**

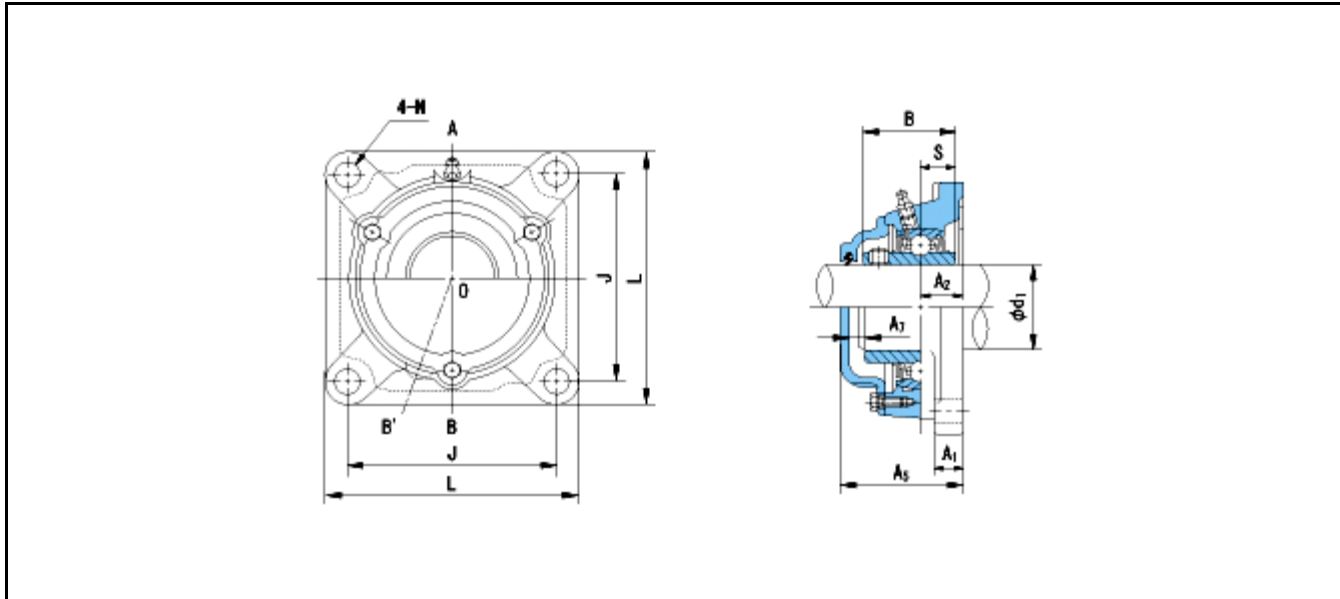
Dimensions

L = 195

J = 150

N = 23

A = 56



Dimensions

d1 = 60

A1 = 22

A2 = 33

B = 71

S = 26

A5 = 98

A7 = 14

Mass = 7.7 kg

Basic Dynamic Load Rating Cr :	<b>81500 N</b>			
Basic Static Load Rating Cor :	<b>52000 N</b>	O.D.Surface Runout with Side :		-
Limiting Speed ;		Axial Runout with Bore :		-
Grease Lubrication :	- rpm	Axial Runout with Raceway :		-
Oil Lubrication :	- rpm	Width Variation :		-
		Radial Runout :		-