

ROECO

# Bearing Data

## Ball Bearing Units

Bearing No. : **CUCF328C**

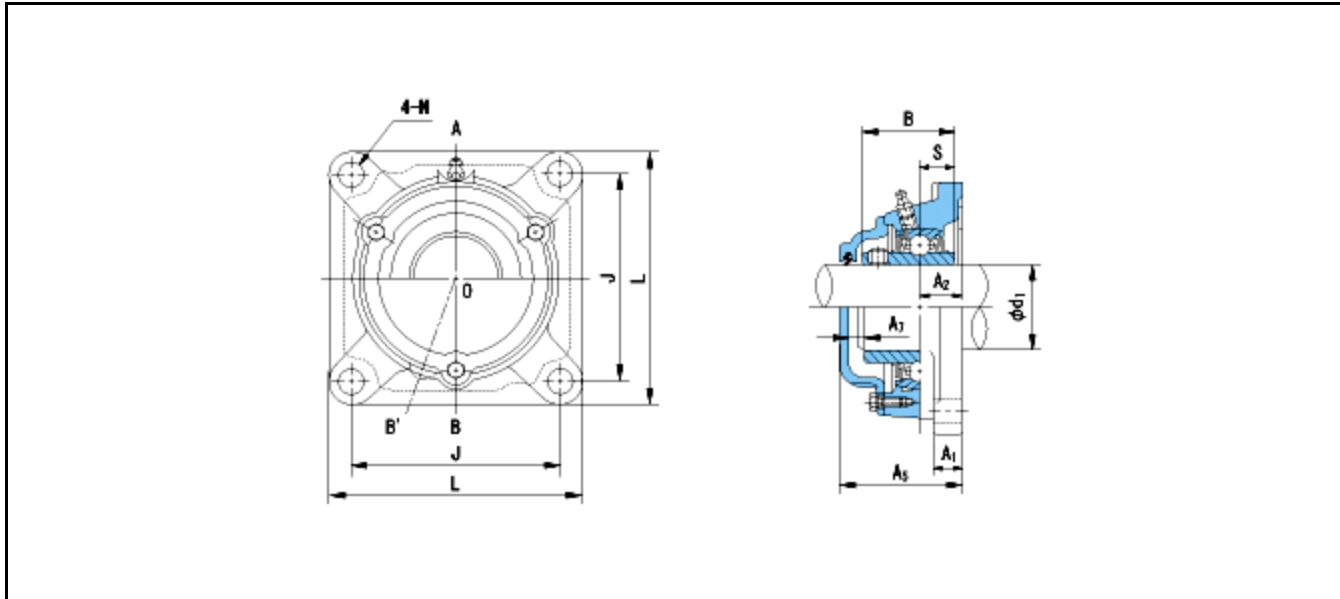
Dimensions

L = 450

J = 350

N = 41

A = 125



Dimensions

d1 = 140

A1 = 55

A2 = 75

B = 145

S = 59

A5 = 195

A7 = 24

Mass = 89.4 kg

Basic Dynamic Load Rating Cr :	<b>255000 N</b>			
Basic Static Load Rating Cor :	<b>246000 N</b>	O.D.Surface Runout with Side :		-
Limiting Speed ;		Axial Runout with Bore :	-	
Grease Lubrication :	- rpm	Axial Runout with Raceway :	-	-
Oil Lubrication :	- rpm	Width Variation :	-	-
		Radial Runout :	-	-