

ROECO

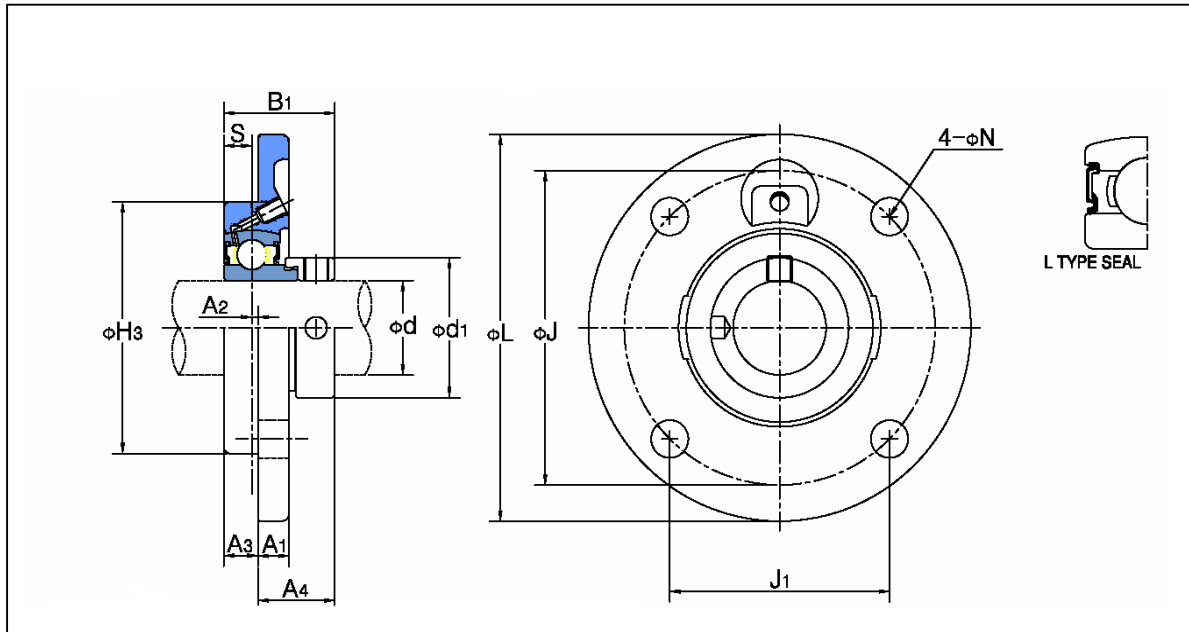
## Bearing Data

Ball Bearing Units

Bearing No.: **KHFCC 211**

### Dimensions

L = 185  
J = 150  
J<sub>1</sub> = 106  
N = 18



### Dimensions

d = 55  
H<sub>3</sub> = 125  
A<sub>1</sub> = 15  
A<sub>2</sub> = 0  
A<sub>3</sub> = 12.5  
A<sub>4</sub> = 53.3  
B<sub>1</sub> = 65.3  
S = 12  
d<sub>1</sub> = 76.2  
Bolt (mm) = 16  
Bolt (inch) = 5/8  
Mass (kgf) = 3.14

Basic Dynamic Load Rating C<sub>r</sub>: 42463 N

Basic Static Load Rating C<sub>0r</sub>: 28832 N