

ROECO

Bearing Data

Ball Bearing Units

Bearing No. : **MUCP207**

Dimensions

H = 47.6

L = 167

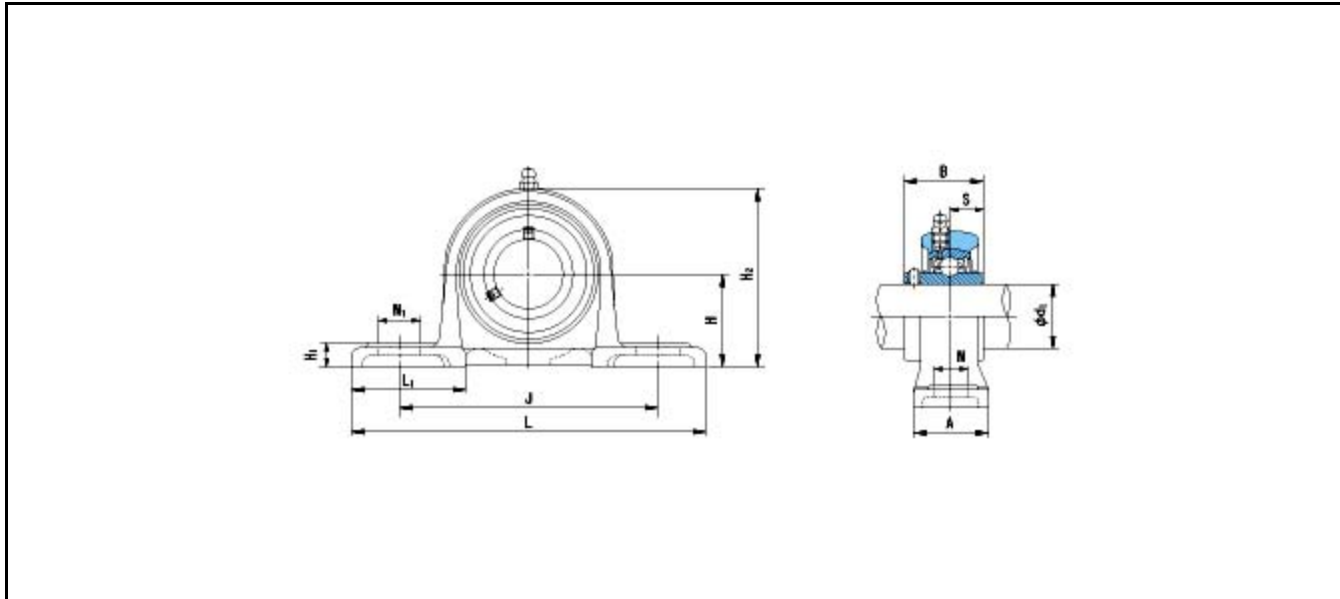
J = 127

N1 = 21

H1 = 12

H2 = 92

L1 = 54



Dimensions

d1 = 35

A = 38

N = 17

B = 42.9

S = 17.5

Mass = 1.25 kg

Basic Dynamic Load Rating Cr :	22000 N		INNER RING	OUTER RING
Basic Static Load Rating Cor :	12300 N	O.D.Surface Runout with Side :		-
Limiting Speed ;		Axial Runout with Bore :	-	-
Grease Lubrication :	- rpm	Axial Runout with Raceway :	-	-
Oil Lubrication :	- rpm	Width Variation :	-	-
		Radial Runout :	-	-