

ROECO

# Bearing Data

## Ball Bearing Units

Bearing No. : **MUCPA206**

Dimensions

H = 42,9

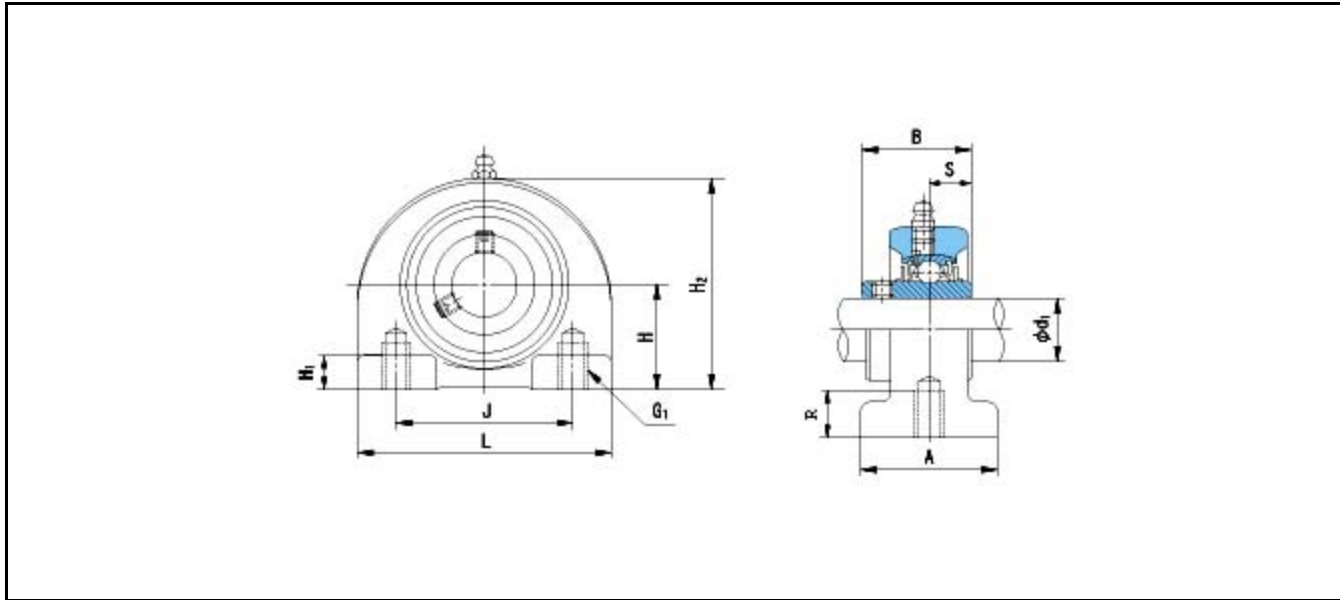
L = 94

J = 66

G1 = M14\*2

H1 = 9,4

H2 = 82



Dimensions

d1 = 30

A = 34

B = 38.1

S = 15.9

Mass = 0.95 kg

<b>Basic Dynamic Load Rating Cr :</b>	<b>19600 N</b>	<b>INNER RING</b>	<b>OUTER RING</b>
<b>Basic Static Load Rating Cor :</b>	<b>11300 N</b>	<b>O.D.Surface Runout with Side :</b>	-
<b>Limiting Speed ;</b>		<b>Axial Runout with Bore :</b>	-
<b>Grease Lubrication :</b>	- rpm	<b>Axial Runout with Raceway :</b>	-
<b>Oil Lubrication :</b>	- rpm	<b>Width Variation :</b>	-
		<b>Radial Runout :</b>	-