

ROECO

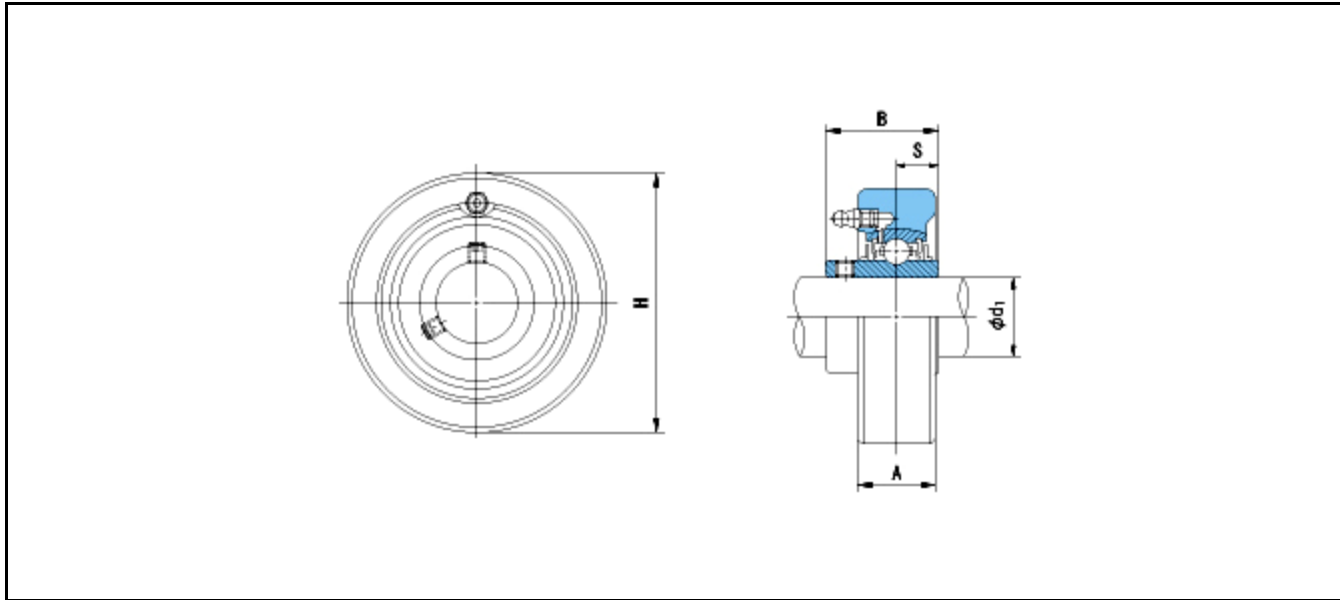
# Bearing Data

## Ball Bearing Units

Bearing No. : **UCC314**

Dimensions

H = 180



Dimensions

d1 = 70

A = 52

B = 78

S = 33

Mass = 6.6 kg

Basic Dynamic Load Rating Cr :	<b>104000 N</b>			
Basic Static Load Rating Cor :	<b>68000 N</b>	O.D.Surface Runout with Side :		-
Limiting Speed ;		Axial Runout with Bore :	-	
Grease Lubrication :	- rpm	Axial Runout with Raceway :	-	-
Oil Lubrication :	- rpm	Width Variation :	-	-
		Radial Runout :	-	-