

ROECO

# Bearing Data

## Ball Bearing Units

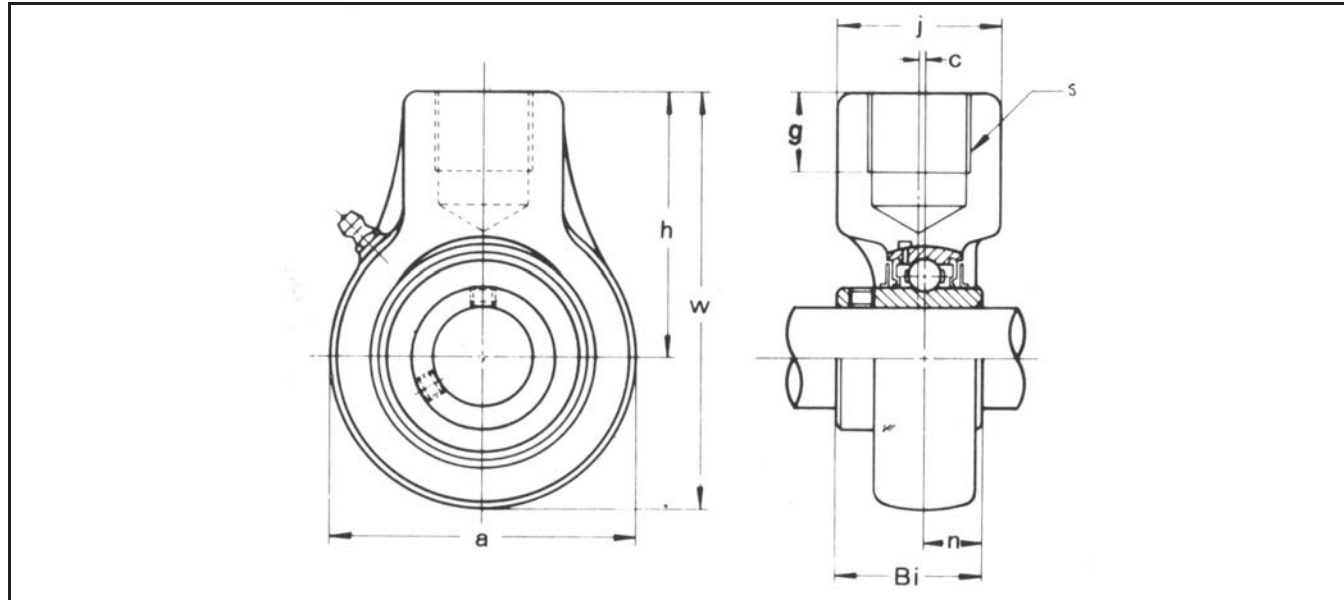
Bearing No. : **UCECH201**

Dimensions

Bi = 31

n = 12.7

c = 0



Dimensions

d1 = 12

a = 64

w = 96

h = 64

j = 40

s = PF 3/4

g = 19

Mass = 0.80 kg

Basic Dynamic Load Rating Cr : **13000N**

Basic Static Load Rating Cor : **6350 N**

Limiting Speed ;

Grease Lubrication : - rpm

Oil Lubrication : - rpm

**INNER RING OUTER RING**

O.D.Surface Runout with Side : -

Axial Runout with Bore : -

Axial Runout with Raceway : -

Width Variation : -

Radial Runout : -