

ROECO

Bearing Data

Ball Bearing Units

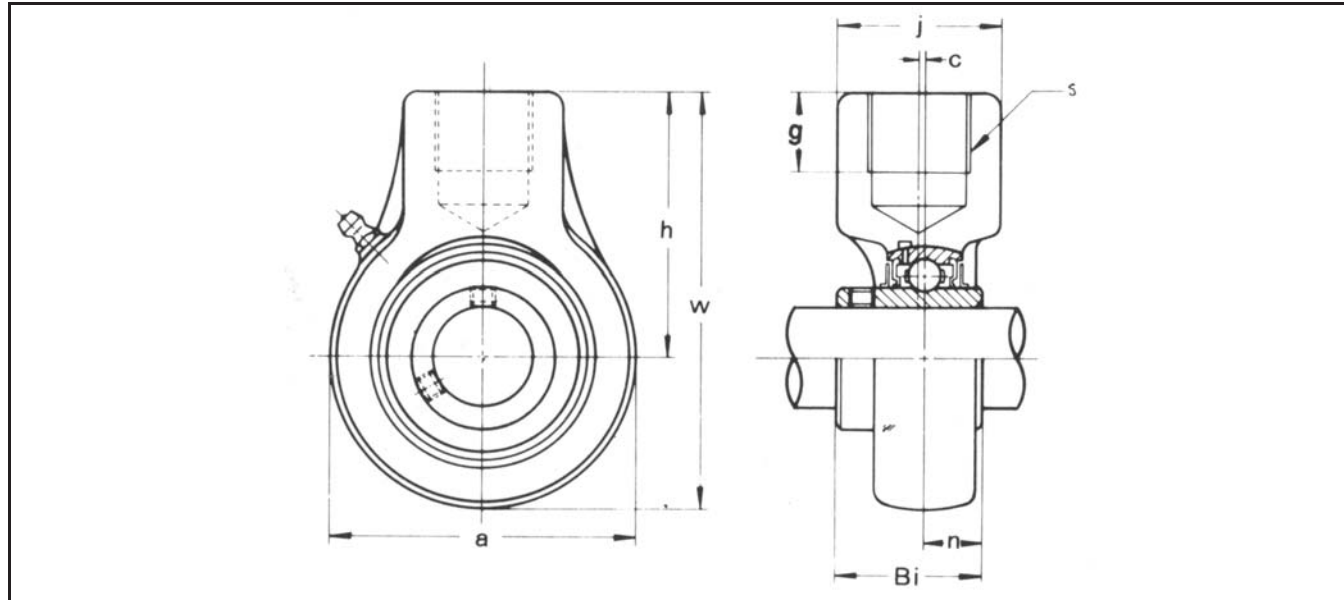
Bearing No. : **UCECH204**

Dimensions

Bi = 31

n = 12.7

c = 0



Dimensions

d1 = 20

a = 64

w = 96

h = 64

j = 40

s = PF 3/4

g = 19

Mass = 0.80 kg

Basic Dynamic Load Rating Cr :	13000N	INNER RING	OUTER RING
Basic Static Load Rating Cor :	6350 N	O.D.Surface Runout with Side :	-
Limiting Speed ;		Axial Runout with Bore :	-
Grease Lubrication :	- rpm	Axial Runout with Raceway :	-
Oil Lubrication :	- rpm	Width Variation :	-
		Radial Runout :	-