

ROECO

# Bearing Data

## Ball Bearing Units

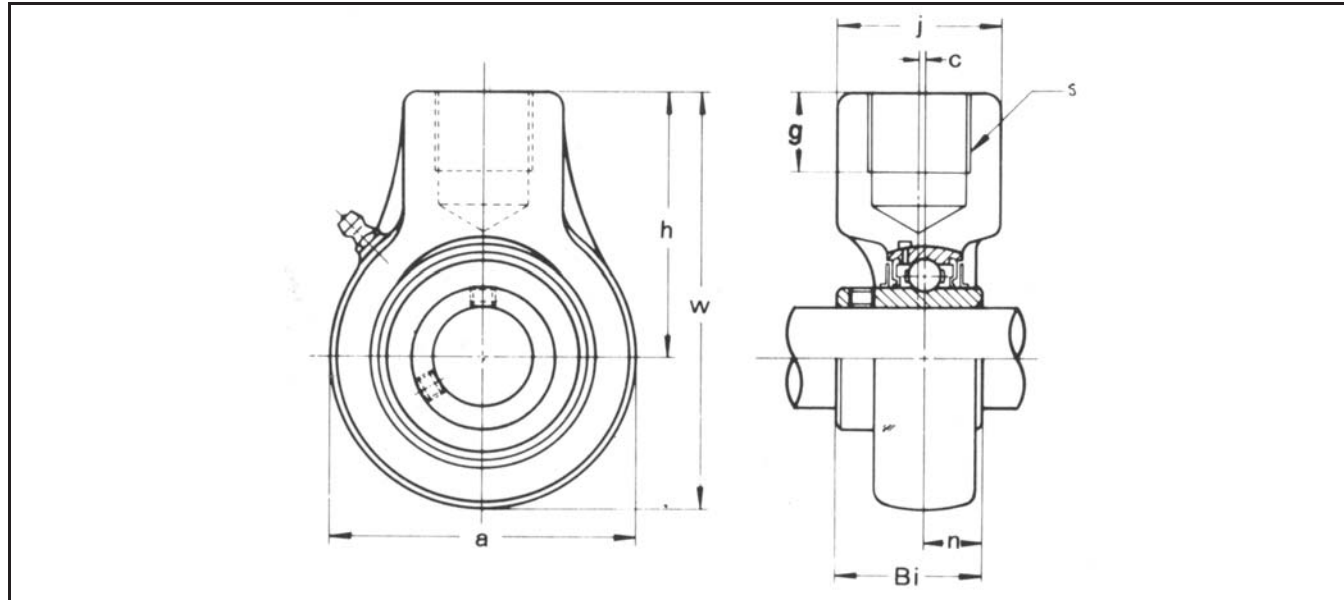
Bearing No. : **UCECH209**

Dimensions

Bi = 49.2

n = 19

c = 4



Dimensions

d1 = 45

a = 108

w = 136

h = 82

j = 48

s = PF 1

g = 21

Mass = 1.80 kg

Basic Dynamic Load Rating Cr : **32000 N**

Basic Static Load Rating Cor : **18500 N**

Limiting Speed ;

Grease Lubrication : - rpm

Oil Lubrication : - rpm

INNER RING OUTER RING

O.D.Surface Runout with Side : -

Axial Runout with Bore : -

Axial Runout with Raceway : -

Width Variation : -

Radial Runout : -