

ROECO

# Bearing Data

## Ball Bearing Units

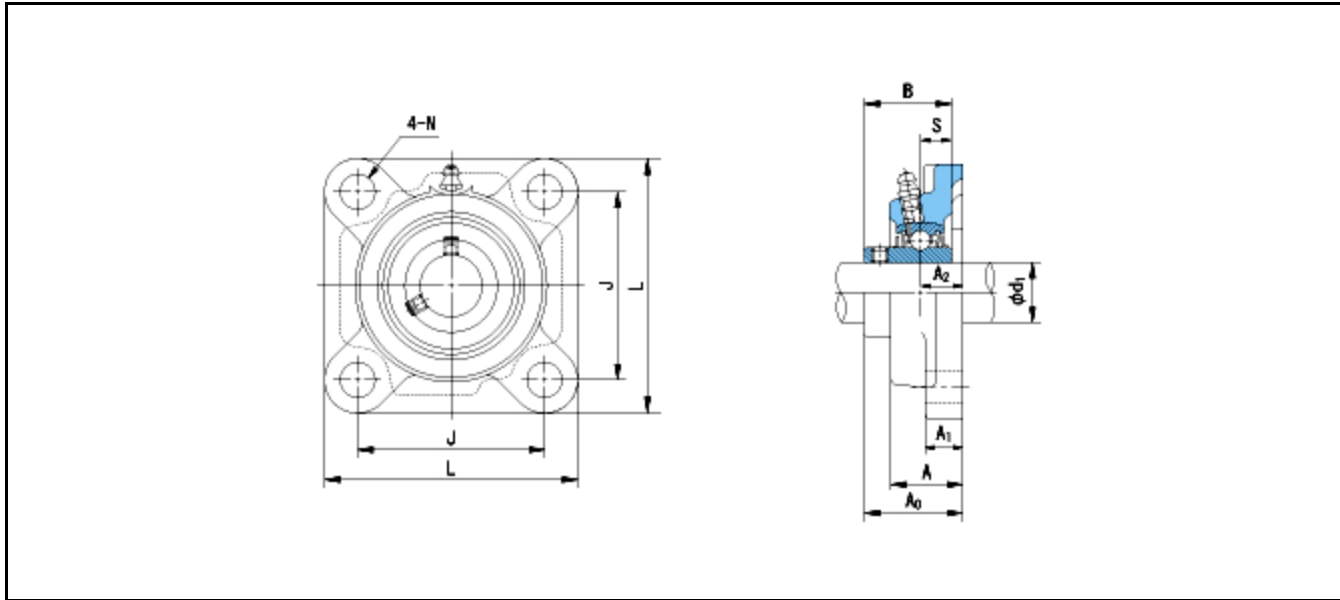
Bearing No. : **UCF218**

Dimensions

L = 235

J = 187

N = 23



Dimensions

d1 = 90

A1 = 26

A2 = 40

B = 96

S = 39.7

A = 68

A0 = 96.3

Mass = 11.3 kg

Basic Dynamic Load Rating Cr :	<b>95500 N</b>				
Basic Static Load Rating Cor :	<b>71400 N</b>	O.D.Surface Runout with Side :			-
Limiting Speed ;		Axial Runout with Bore :			-
Grease Lubrication :	- rpm	Axial Runout with Raceway :			-
Oil Lubrication :	- rpm	Width Variation :			-
		Radial Runout :			-