

ROECO

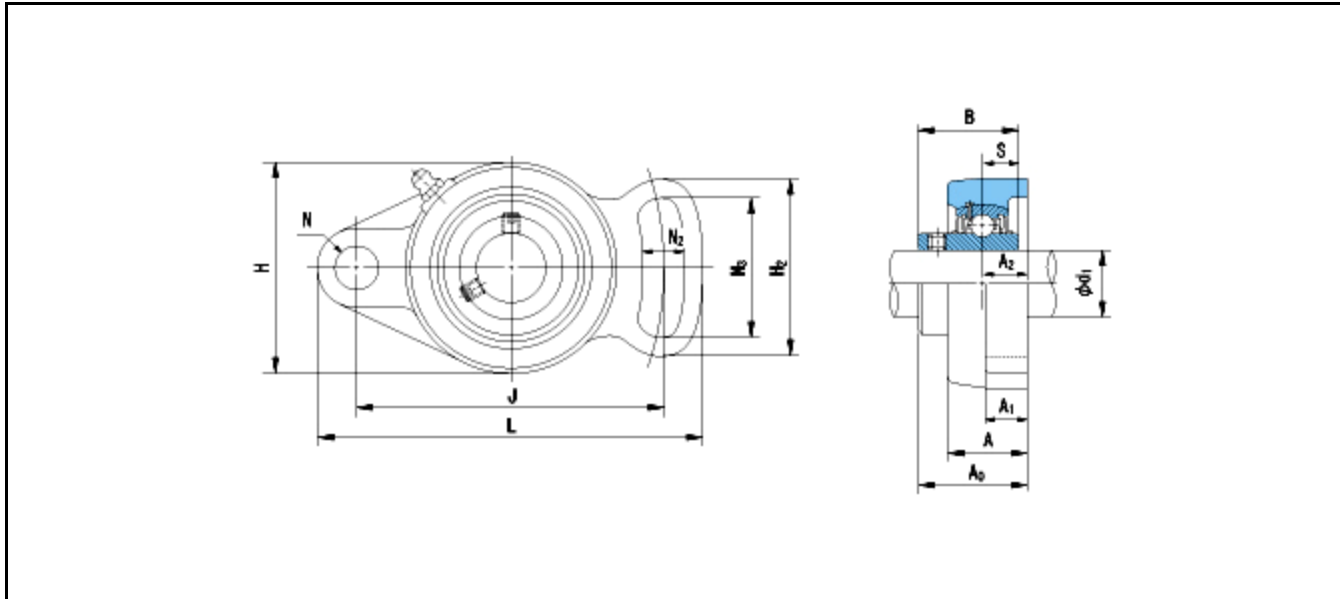
# Bearing Data

## Ball Bearing Units

Bearing No. : **UCFA206**

Dimensions

- H = 80
- L = 144
- J = 117
- N = 12
- N2 = 13
- N3 = 58
- H2 = 72



Dimensions

- d1 = 30
- A1 = 14
- A2 = 18
- A = 31
- A0 = 40.2
- B = 38.1
- S = 15.9
- Mass = 1 kg

<b>Basic Dynamic Load Rating Cr :</b>	<b>19600 N</b>	<b>INNER RING</b>	<b>OUTER RING</b>
<b>Basic Static Load Rating Cor :</b>	<b>11300 N</b>	<b>O.D.Surface Runout with Side :</b>	-
<b>Limiting Speed ;</b>		<b>Axial Runout with Bore :</b>	-
<b>Grease Lubrication :</b>	- rpm	<b>Axial Runout with Raceway :</b>	-
<b>Oil Lubrication :</b>	- rpm	<b>Width Variation :</b>	-
		<b>Radial Runout :</b>	-