

ROECO

# Bearing Data

## Ball Bearing Units

Bearing No. : **UCFA209**

Dimensions

H = 108

L = 181

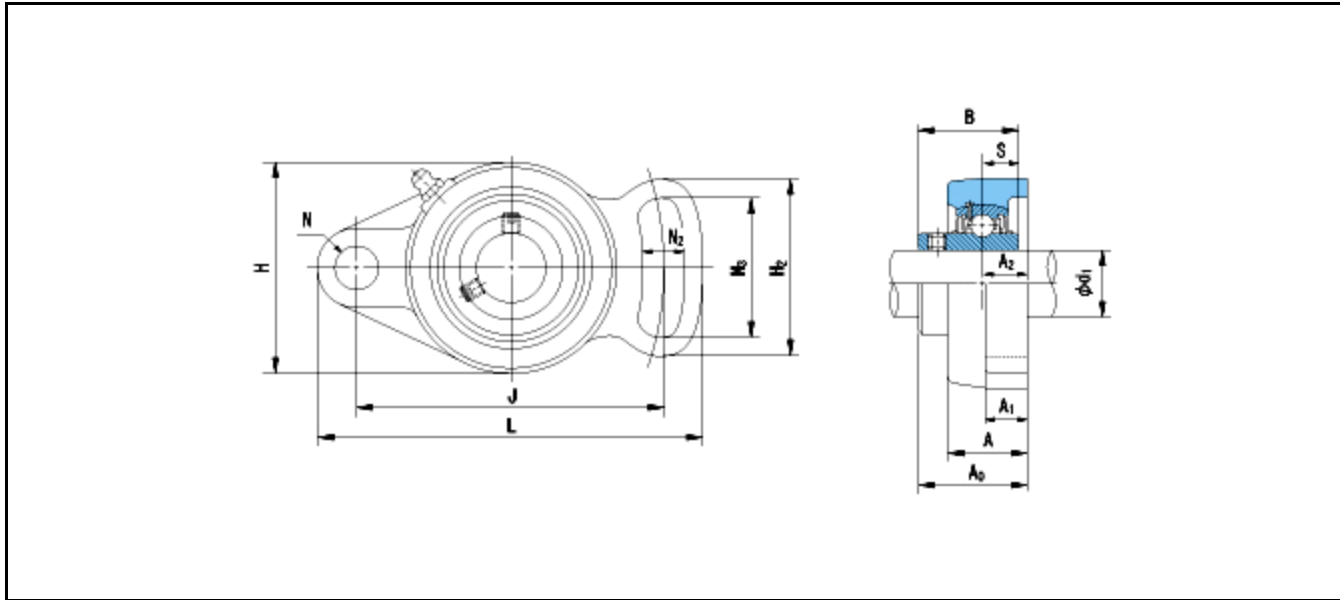
J = 148

N = 16

N2 = 17

N3 = 72

H2 = 90



Dimensions

d1 = 45

A1 = 18

A2 = 22

A = 38

A0 = 52.2

B = 49.2

S = 19

Mass = 2 kg

<b>Basic Dynamic Load Rating Cr :</b>	<b>33000 N</b>	<b>INNER RING</b>	<b>OUTER RING</b>
<b>Basic Static Load Rating Cor :</b>	<b>20500 N</b>	<b>O.D.Surface Runout with Side :</b>	-
<b>Limiting Speed ;</b>		<b>Axial Runout with Bore :</b>	-
<b>Grease Lubrication :</b>	- rpm	<b>Axial Runout with Raceway :</b>	-
<b>Oil Lubrication :</b>	- rpm	<b>Width Variation :</b>	-
		<b>Radial Runout :</b>	-