

ROECO

# Bearing Data

## Ball Bearing Units

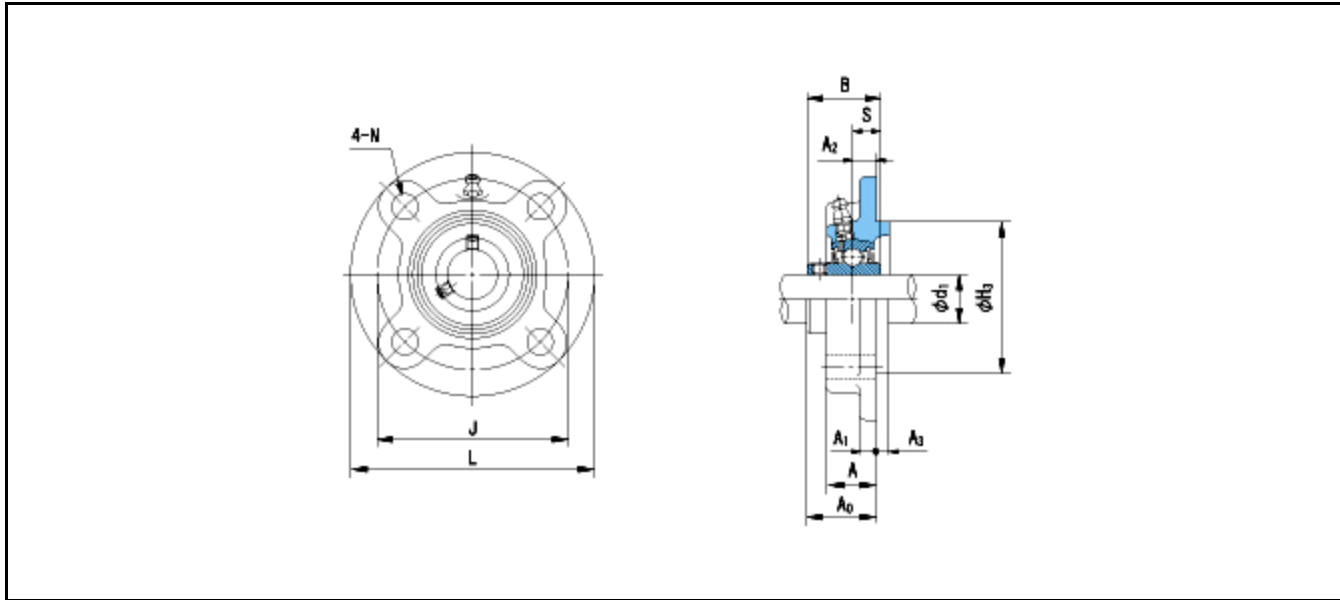
Bearing No. : **UCFC209**

Dimensions

L = 160

J = 132

N = 16



Dimensions

d1 = 45

A = 26

A1 = 14

A2 = 10

A3 = 12

H3 = 105

B = 49.2

S = 19

A0 = 40.2

Mass = 3 kg

Basic Dynamic Load Rating Cr : **33000 N**

Basic Static Load Rating Cor : **20500 N**

Limiting Speed ;

Grease Lubrication : - rpm

Oil Lubrication : - rpm

**INNER RING OUTER RING**

O.D.Surface Runout with Side : -

Axial Runout with Bore : -

Axial Runout with Raceway : -

Width Variation : -

Radial Runout : -