

ROECO

# Bearing Data

## Ball Bearing Units

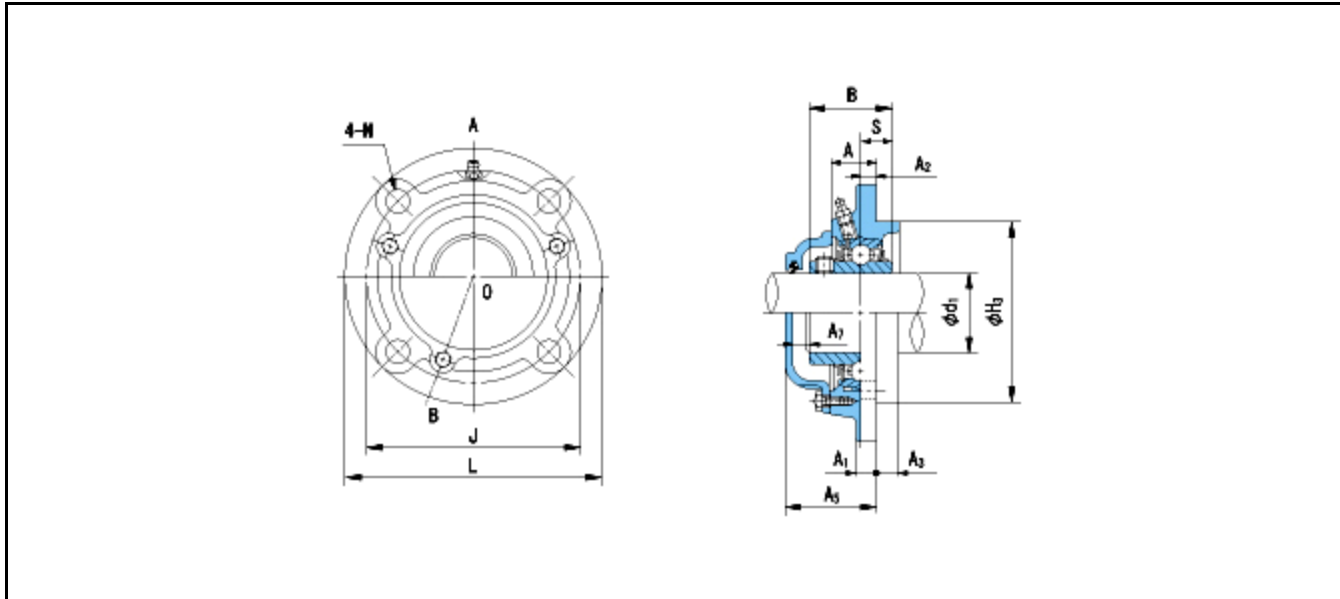
Bearing No. : **UCFC215**

Dimensions

L = 220

J = 184

N = 19



Dimensions

d1 = 75

A = 40

A1 = 18

A2 = 18

A3 = 16

H3 = 160

B = 77.8

S = 33.3

A0 = 62.5

Mass = 7.4 kg

Basic Dynamic Load Rating Cr : **66000 N**

Basic Static Load Rating Cor : **48200 N**

Limiting Speed ;

Grease Lubrication : - rpm

Oil Lubrication : - rpm

**INNER RING OUTER RING**

O.D.Surface Runout with Side : -

Axial Runout with Bore : -

Axial Runout with Raceway : -

Width Variation : -

Radial Runout : -