

ROECO

# Bearing Data

## Ball Bearing Units

Bearing No. : UCFL212

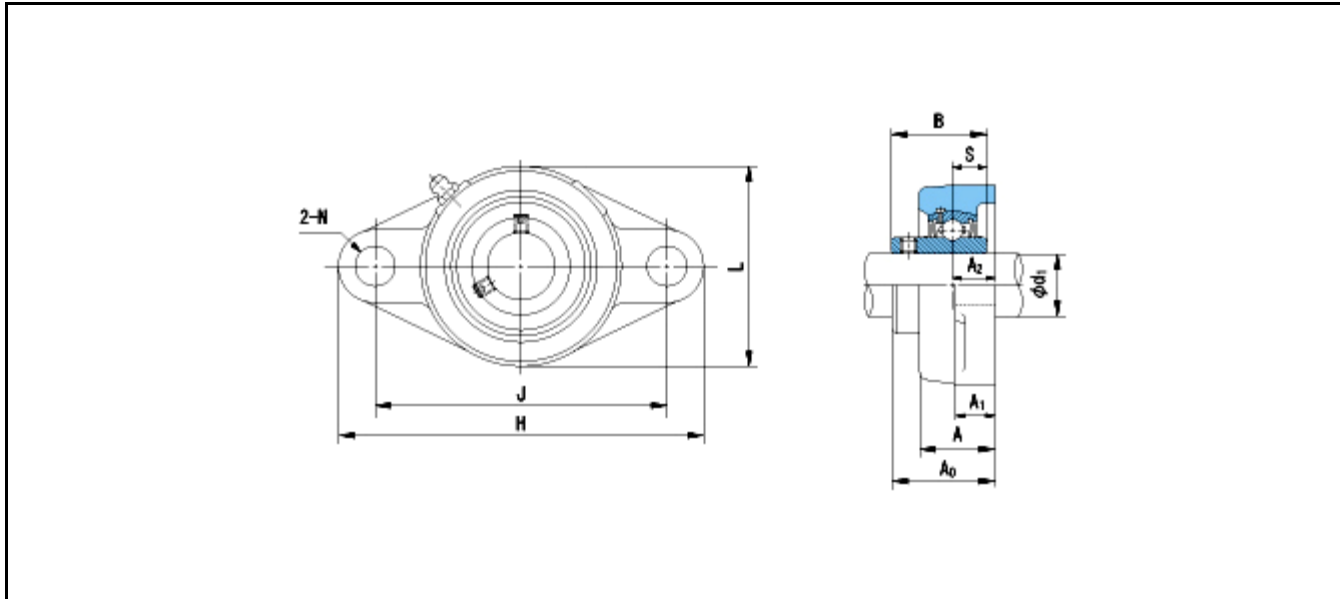
Dimensions

H = 250

L = 140

J = 202

N = 23



Dimensions

d1 = 60

A1 = 20

A2 = 29

A = 48

A0 = 68.7

B = 65.1

S = 25.4

Mass = 4.1 kg

Basic Dynamic Load Rating Cr :	<b>52500 N</b>			<b>INNER RING</b>	<b>OUTER RING</b>
Basic Static Load Rating Cor :	<b>36100 N</b>	O.D.Surface Runout with Side :			-
Limiting Speed ;		Axial Runout with Bore :		-	
Grease Lubrication :	- rpm	Axial Runout with Raceway :		-	-
Oil Lubrication :	- rpm	Width Variation :		-	-
		Radial Runout :		-	-