

ROECO

# Bearing Data

## Ball Bearing Units

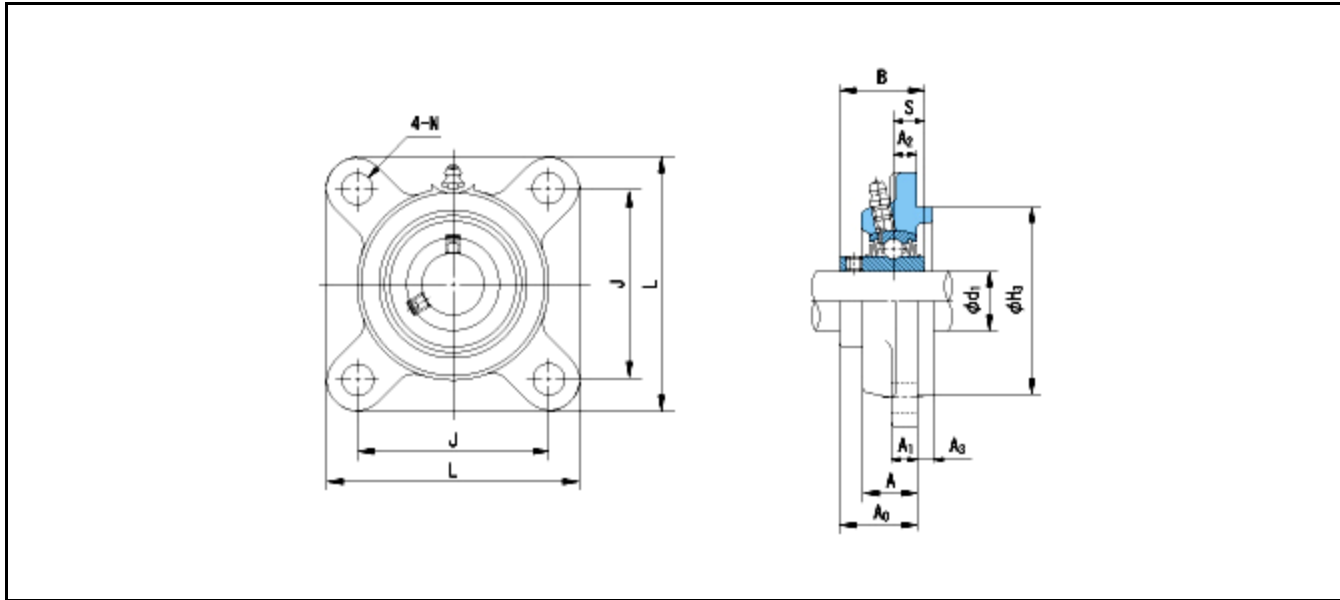
Bearing No. : **UCFS324**

Dimensions

L = 370

J = 290

N = 41



Dimensions

d1 = 120

A1 = 40

A2 = 35

H3 = 330

B = 126

S = 51

A = 80

A0 = 110

Mass = 50.6 kg

Basic Dynamic Load Rating Cr :	<b>207000 N</b>		
Basic Static Load Rating Cor :	<b>184800 N</b>	O.D.Surface Runout with Side :	-
Limiting Speed ;		Axial Runout with Bore :	-
Grease Lubrication :	- rpm	Axial Runout with Raceway :	-
Oil Lubrication :	- rpm	Width Variation :	-
		Radial Runout :	-