

ROECO

Bearing Data

Ball Bearing Units

Bearing No. : **UCP324**

Dimensions

H = 160

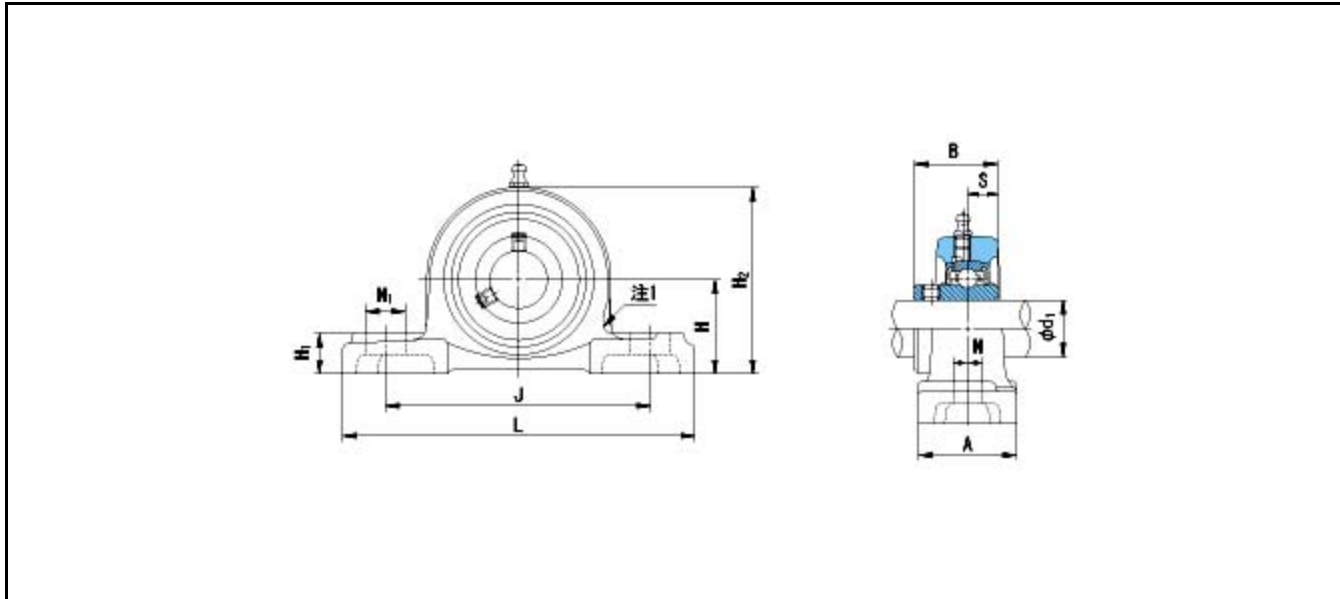
L = 570

J = 450

N1 = 55

H1 = 70

H2 = 321



Dimensions

d1 = 120

A = 140

N = 40

B = 126

S = 51

Mass = 53.5 kg

Basic Dynamic Load Rating Cr :	207000 N			
Basic Static Load Rating Cor :	184800 N	O.D.Surface Runout with Side :		-
Limiting Speed ;		Axial Runout with Bore :		-
Grease Lubrication :	- rpm	Axial Runout with Raceway :		-
Oil Lubrication :	- rpm	Width Variation :		-
		Radial Runout :		-