

ROECO

Bearing Data

Ball Bearing Units

Bearing No. : **UCT315**

Dimensions

H = 216

H2 = 132

L = 262

L1 = 160

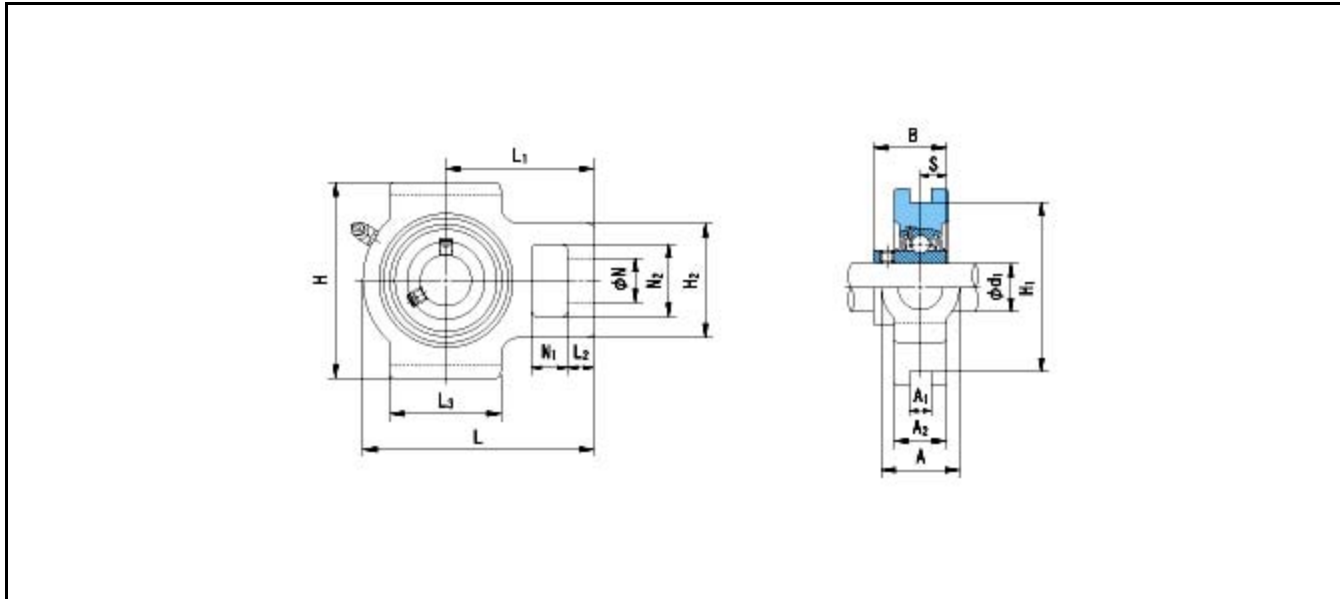
L2 = 25

L3 = 150

N = 46

N1 = 36

N2 = 85



Dimensions

d1 = 75

A1 = 26

A2 = 55

A = 90

H1 = 192

B = 82

S = 32

Mass = 13 kg

Basic Dynamic Load Rating Cr :	114000 N				
Basic Static Load Rating Cor :	76900 N	O.D.Surface Runout with Side :			-
Limiting Speed ;		Axial Runout with Bore :			-
Grease Lubrication :	- rpm	Axial Runout with Raceway :			-
Oil Lubrication :	- rpm	Width Variation :			-
		Radial Runout :			-