

ROECO

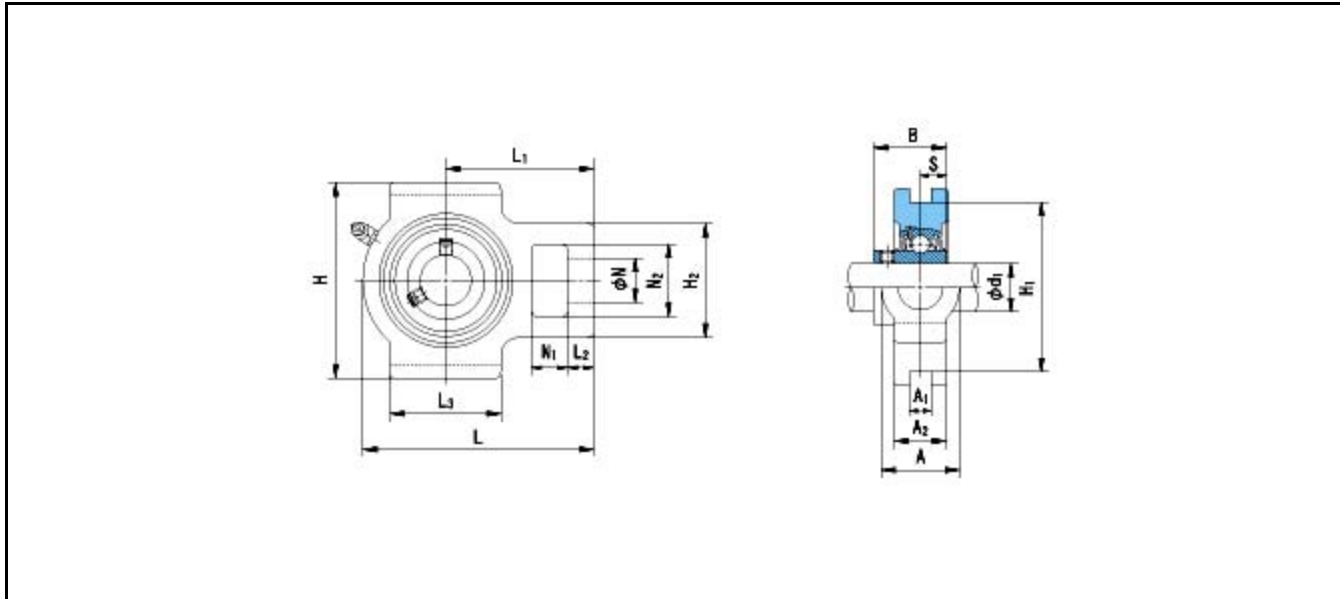
# Bearing Data

## Ball Bearing Units

Bearing No. : **UCT328**

### Dimensions

- H = 415
- H2 = 230
- L = 515
- L1 = 315
- L2 = 50
- L3 = 255
- N = 80
- N1 = 70
- N2 = 160



### Dimensions

- d1 = 140
- A1 = 50
- A2 = 100
- A = 155
- H1 = 380
- B = 145
- S = 59
- Mass = 83.2 kg

Basic Dynamic Load Rating Cr :	<b>255000 N</b>				
Basic Static Load Rating Cor :	<b>246000 N</b>	O.D.Surface Runout with Side :			-
Limiting Speed ;		Axial Runout with Bore :			-
Grease Lubrication :	- rpm	Axial Runout with Raceway :			-
Oil Lubrication :	- rpm	Width Variation :			-
		Radial Runout :			-