

ROECO

# Bearing Data

## Ball Bearing Units

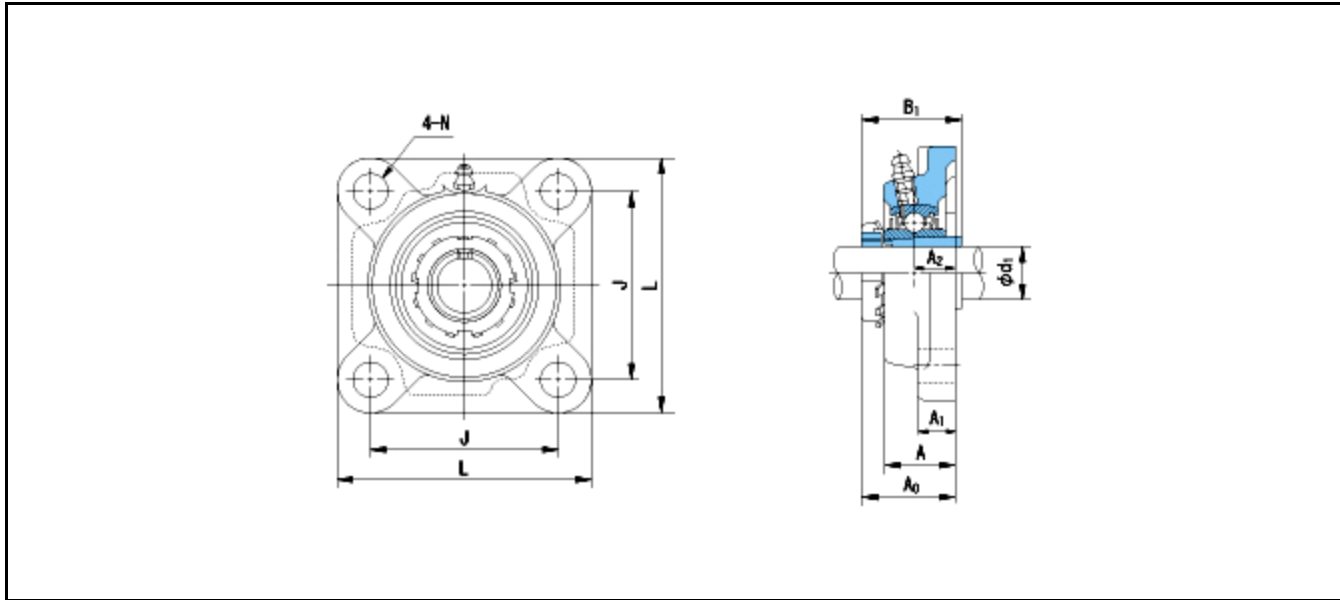
Bearing No. : **UKF305+H2305**

Dimensions

L = 110

J = 80

N = 16



Dimensions

d1 = 20

A1 = 13

A2 = 16

B1 = 35

A = 29

A0 = 37

Mass = 1.2 kg

Basic Dynamic Load Rating Cr :	21300 N	INNER RING	OUTER RING
Basic Static Load Rating Cor :	10900 N	O.D.Surface Runout with Side :	-
Limiting Speed ;		Axial Runout with Bore :	-
Grease Lubrication :	- rpm	Axial Runout with Raceway :	-
Oil Lubrication :	- rpm	Width Variation :	-
		Radial Runout :	-