

ROECO

# Bearing Data

## Ball Bearing Units

Bearing No. : **UKFL215+H2315**

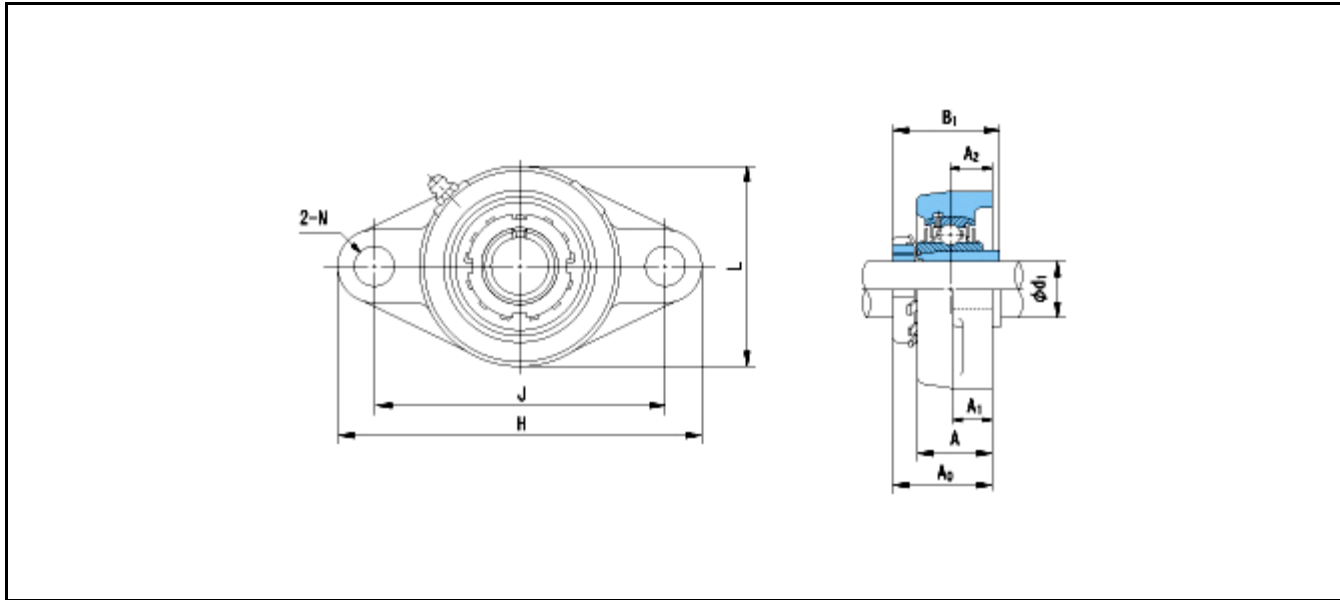
Dimensions

H = 275

L = 165

J = 225

N = 23



Dimensions

d1 = 65

A1 = 24

A2 = 34

A = 56

A0 = 69.5

B1 = 73

Mass = 6.8 kg

Basic Dynamic Load Rating Cr :	<b>66000 N</b>	INNER RING	OUTER RING
Basic Static Load Rating Cor :	<b>48200 N</b>	O.D.Surface Runout with Side :	-
Limiting Speed ;		Axial Runout with Bore :	-
Grease Lubrication :	- rpm	Axial Runout with Raceway :	-
Oil Lubrication :	- rpm	Width Variation :	-
		Radial Runout :	-