

ROECO

Bearing Data

Ball Bearing Units

Bearing No. : **UKFL315+H2315**

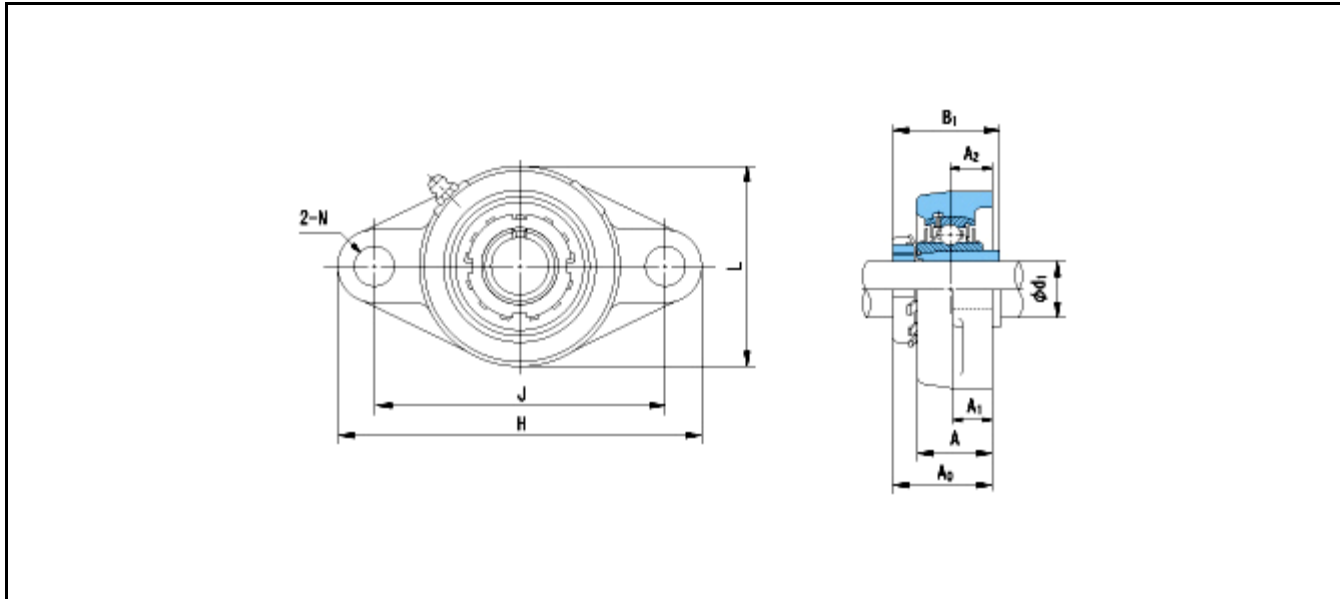
Dimensions

H = 320

L = 195

J = 260

N = 35



Dimensions

d1 = 65

A1 = 30

A2 = 39

A = 66

A0 = 81

B1 = 73

Mass = 10.2 kg

Basic Dynamic Load Rating Cr :	11400 N		INNER RING	OUTER RING
Basic Static Load Rating Cor :	76900 N	O.D.Surface Runout with Side :		-
Limiting Speed ;		Axial Runout with Bore :	-	-
Grease Lubrication :	- rpm	Axial Runout with Raceway :	-	-
Oil Lubrication :	- rpm	Width Variation :	-	-
		Radial Runout :	-	-