

ROECO

# Bearing Data

## Ball Bearing Units

Bearing No. : **UKFLX10C+H2310**

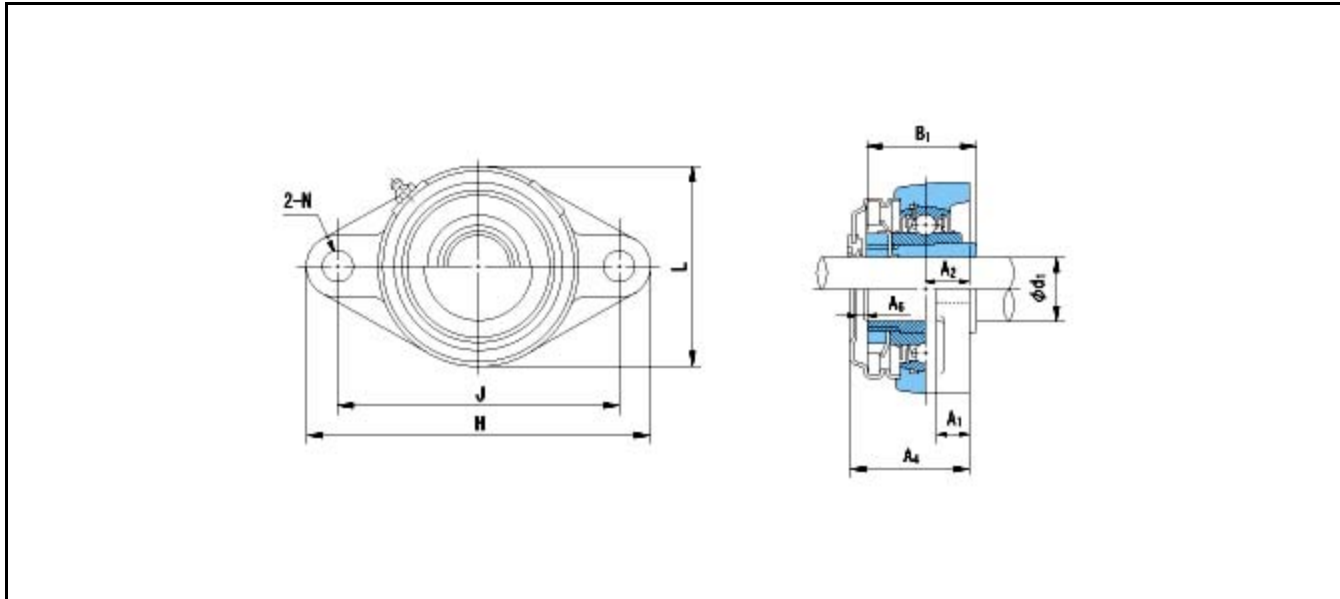
Dimensions

H = 216

L = 133

J = 184

N = 19



Dimensions

d1 = 45

A1 = 20

A2 = 26

A4 = 70

A6 = 14

B1 = 55

Mass = 3.7 kg

Basic Dynamic Load Rating Cr :	<b>43000 N</b>	INNER RING	OUTER RING
Basic Static Load Rating Cor :	<b>29400 N</b>	O.D.Surface Runout with Side :	-
Limiting Speed ;		Axial Runout with Bore :	-
Grease Lubrication :	- rpm	Axial Runout with Raceway :	-
Oil Lubrication :	- rpm	Width Variation :	-
		Radial Runout :	-