

ROECO

Bearing Data

Ball Bearing Units

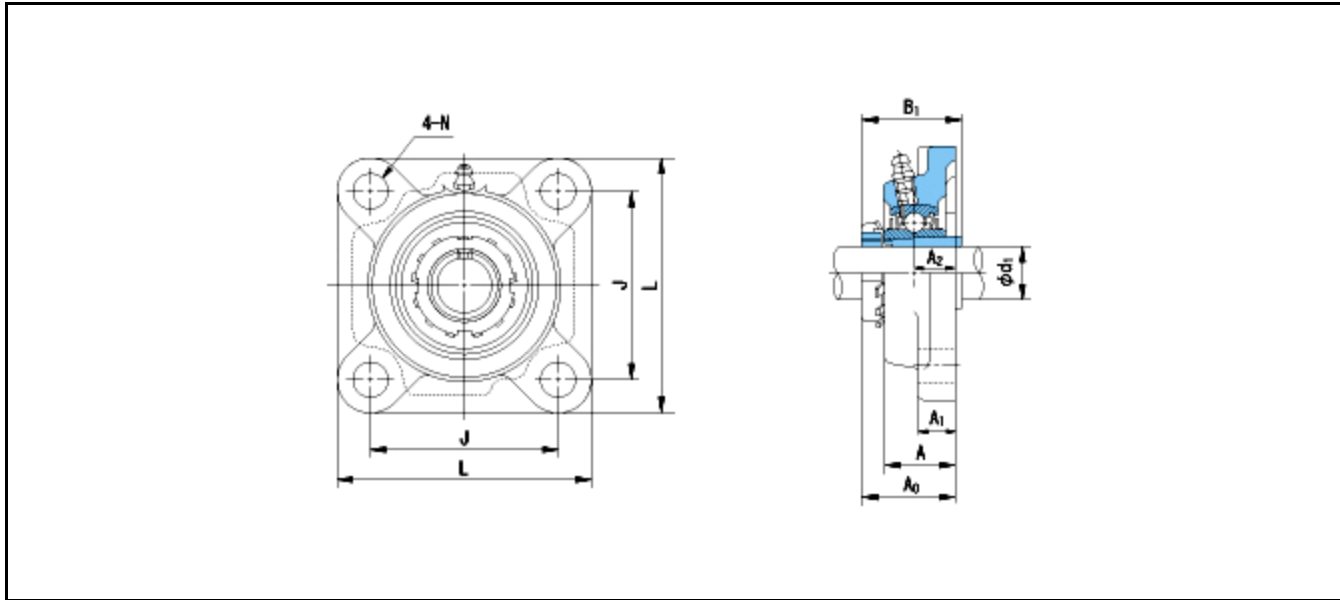
Bearing No. : **UKFX09+H2309**

Dimensions

L = 143

J = 111

N = 19



Dimensions

d1 = 40

A1 = 14

A2 = 23

B1 = 50

A = 40

A0 = 49.5

Mass = 2.4 kg

Basic Dynamic Load Rating Cr :	35500 N			
Basic Static Load Rating Cor :	23200 N	O.D.Surface Runout with Side :		-
Limiting Speed ;		Axial Runout with Bore :	-	
Grease Lubrication :	- rpm	Axial Runout with Raceway :	-	-
Oil Lubrication :	- rpm	Width Variation :	-	-
		Radial Runout :	-	-