

ROECO

# Bearing Data

## Ball Bearing Units

Bearing No. : **UKT207+H2307**

### Dimensions

H = 102

H2 = 64

L = 129

L1 = 78

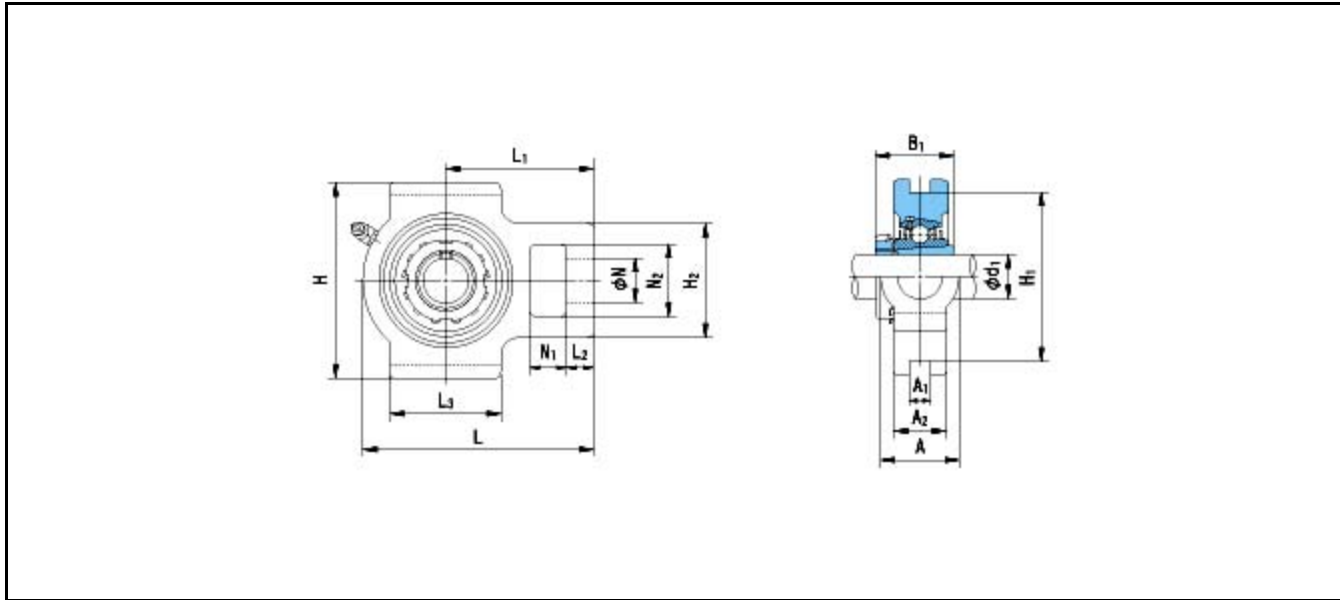
L2 = 13

L3 = 64

N = 22

N1 = 16

N2 = 37



### Dimensions

d1 = 30

A1 = 12

A2 = 30

A = 37

H1 = 89

B1 = 43

Mass = 1.7 kg

Basic Dynamic Load Rating Cr : **25900 N**

Basic Static Load Rating Cor : **15400 N**

Limiting Speed ;

Grease Lubrication : - rpm

Oil Lubrication : - rpm

**INNER RING OUTER RING**

O.D.Surface Runout with Side : -

Axial Runout with Bore : -

Axial Runout with Raceway : -

Width Variation : -

Radial Runout : -